

Indexing Plungers

Stainless Steel, with Operating Lever, with Flange for Surface Mounting

SPECIFICATION

Types

- Type **B**: Without rest position
- Type **C**: With rest position

Coding

- Coding **B**: Rotating
- Coding **BP**: Anti-twist protection parallel
- Coding **BR**: Anti-twist protection perpendicular

Guide

Stainless steel AISI 304 NI

Plunger pin

Stainless steel AISI 303

Lever

- Plastic, polyphthalamide (PPA)
- Glass fiber reinforced
- Black **SW**

Pressure spring

Stainless steel AISI 302



INFORMATION

Indexing plungers GN 823 with operating lever can be used to lock carriages in guides, for example. The plunger pin is retracted by simply pressing the operating lever.

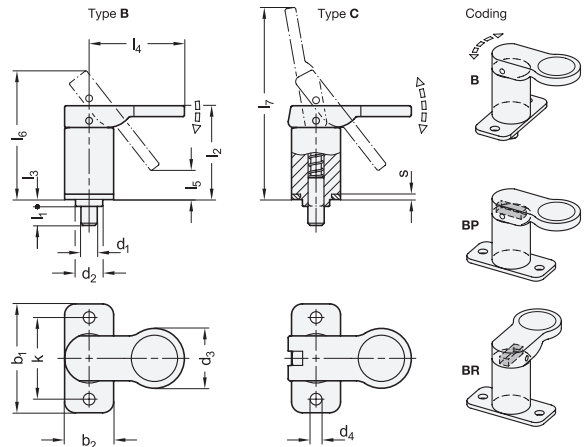
Type C also allows actuation by pulling and locking the plunger pin in the retracted position (rest position).

ACCESSORY

- GN 412.2 / GN 412.4 Positioning Bushings (with Collar) (see page 813)
- GN 412.3 / GN 412.5 Positioning Bushings (with Ramping Cone) (see page 812)

TECHNICAL INFORMATION

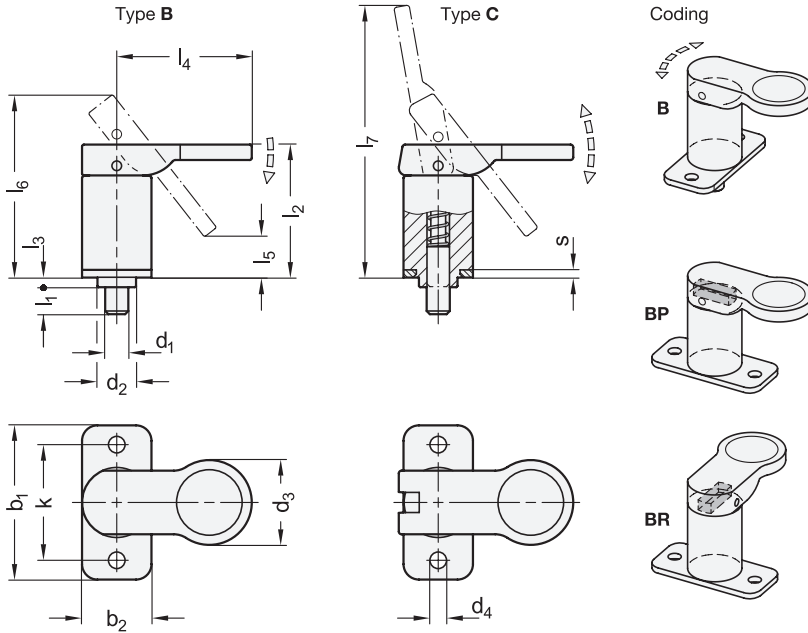
- List of Indexing Plunger Types (see page A42)
- Load Rating Information (see page 738)
- ISO-Fundamental Tolerances (see page A21)
- Stainless Steel Characteristics (see page A26)



GN 823-F-NI-B

STAINLESS STEEL

Description	d1 Plunger h9 Bore +0.08/+0.03	l1	b1	b2	d2 -0.05/-0.1	d3	d4	k	l2	l3	l4	l5 ≈	l6 ≈	s	⚖
GN 823-4-5-B-B-NI-SW	4	5	35	15	8	17	4.3	25	26	2	26	8	36	2	36
GN 823-4-5-B-BP-NI-SW	4	5	35	15	8	17	4.3	25	26	2	26	8	36	2	36
GN 823-4-5-B-BR-NI-SW	4	5	35	15	8	17	4.3	25	26	2	26	8	36	2	36
GN 823-5-5-B-B-NI-SW	5	5	35	15	8	17	4.3	25	26	2	26	8	36	2	36
GN 823-5-5-B-BP-NI-SW	5	5	35	15	8	17	4.3	25	26	2	26	8	36	2	37
GN 823-5-5-B-BR-NI-SW	5	5	35	15	8	17	4.3	25	26	2	26	8	36	2	37
GN 823-6-7-B-B-NI-SW	6	7	40	18	10	22	4.3	30	34.5	2.5	35	10	48	2	67
GN 823-6-7-B-BP-NI-SW	6	7	40	18	10	22	4.3	30	34.5	2.5	35	10	48	2	68
GN 823-6-7-B-BR-NI-SW	6	7	40	18	10	22	4.3	30	34.5	2.5	35	10	48	2	68
GN 823-7-7-B-B-NI-SW	7	7	40	18	10	22	4.3	30	34.5	2.5	35	10	48	3	67
GN 823-7-7-B-BP-NI-SW	7	7	40	18	10	22	4.3	30	34.5	2.5	35	10	48	3	69
GN 823-7-7-B-BR-NI-SW	7	7	40	18	10	22	4.3	30	34.5	2.5	35	10	48	3	69
GN 823-8-10-B-B-NI-SW	8	10	50	23	14	26	4.3	38	42.5	2.5	43	13	60	3	125
GN 823-8-10-B-BP-NI-SW	8	10	50	23	14	26	4.3	38	42.5	2.5	43	13	60	3	127
GN 823-8-10-B-BR-NI-SW	8	10	50	23	14	26	4.3	38	42.5	2.5	43	13	60	3	127
GN 823-10-10-B-B-NI-SW	10	10	50	23	14	26	4.3	38	42.5	2.5	43	13	60	3	125
GN 823-10-10-B-BP-NI-SW	10	10	50	23	14	26	4.3	38	42.5	2.5	43	13	60	3	129
GN 823-10-10-B-BR-NI-SW	10	10	50	23	14	26	4.3	38	42.5	2.5	43	13	60	3	129



GN 823-F-NI-C

STAINLESS STEEL

Description	d1 Plunger h9 Bore +0.08/+0.03	l1	b1	b2	d2 -0.05/-0.1	d3	d4	k	l2	l3	l4	l5 ≈	l6 ≈	l7 ≈	s	⚖
GN 823-4-5-C-B-NI-SW	4	5	35	15	8	17	4.3	25	26	2	26	8	36	53	2	36
GN 823-4-5-C-BP-NI-SW	4	5	35	15	8	17	4.3	25	26	2	26	8	36	53	2	36
GN 823-4-5-C-BR-NI-SW	4	5	35	15	8	17	4.3	25	26	2	26	8	36	53	2	36
GN 823-5-5-C-B-NI-SW	5	5	35	15	8	17	4.3	25	26	2	26	8	36	53	2	36
GN 823-5-5-C-BP-NI-SW	5	5	35	15	8	17	4.3	25	26	2	26	8	36	53	2	36
GN 823-5-5-C-BR-NI-SW	5	5	35	15	8	17	4.3	25	26	2	26	8	36	53	2	36
GN 823-6-7-C-B-NI-SW	6	7	40	18	10	22	4.3	30	34.5	2.5	35	10	48	71	2	67
GN 823-6-7-C-BP-NI-SW	6	7	40	18	10	22	4.3	30	34.5	2.5	35	10	48	71	2	68
GN 823-6-7-C-BR-NI-SW	6	7	40	18	10	22	4.3	30	34.5	2.5	35	10	48	71	2	68
GN 823-7-7-C-B-NI-SW	7	7	40	18	10	22	4.3	30	34.5	2.5	35	10	48	71	3	67
GN 823-7-7-C-BP-NI-SW	7	7	40	18	10	22	4.3	30	34.5	2.5	35	10	48	71	3	69
GN 823-7-7-C-BR-NI-SW	7	7	40	18	10	22	4.3	30	34.5	2.5	35	10	48	71	3	69
GN 823-8-10-C-B-NI-SW	8	10	50	23	14	26	4.3	38	42.5	2.5	43	13	60	88	3	126
GN 823-8-10-C-BP-NI-SW	8	10	50	23	14	26	4.3	38	42.5	2.5	43	13	60	88	3	128
GN 823-8-10-C-BR-NI-SW	8	10	50	23	14	26	4.3	38	42.5	2.5	43	13	60	88	3	128
GN 823-10-10-C-B-NI-SW	10	10	50	23	14	26	4.3	38	42.5	2.5	43	13	60	88	3	128
GN 823-10-10-C-BP-NI-SW	10	10	50	23	14	26	4.3	38	42.5	2.5	43	13	60	88	3	131
GN 823-10-10-C-BR-NI-SW	10	10	50	23	14	26	4.3	38	42.5	2.5	43	13	60	88	3	131



